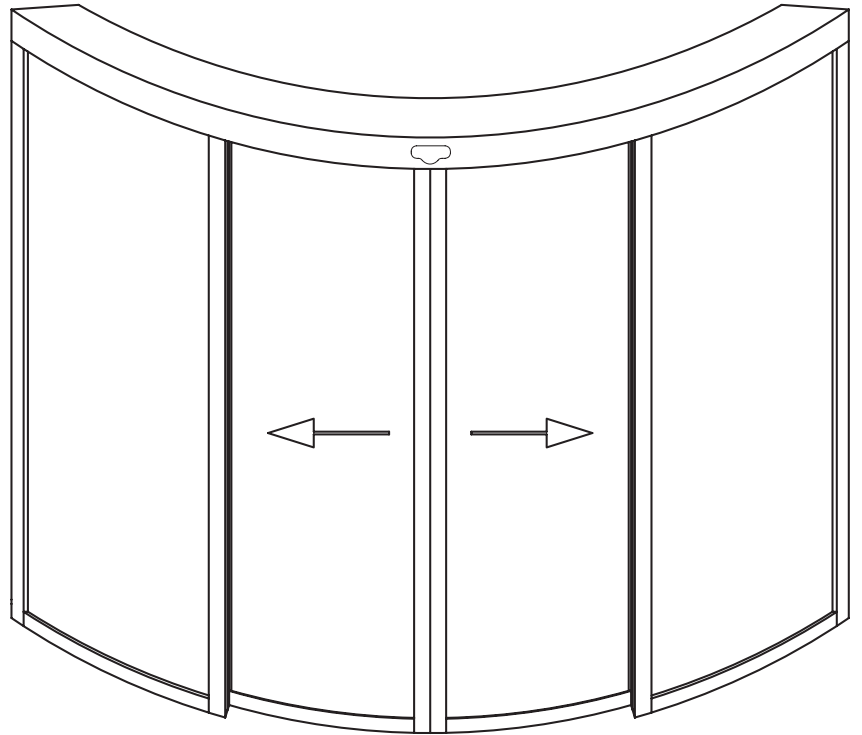


TECHNICAL SPECIFICATIONS



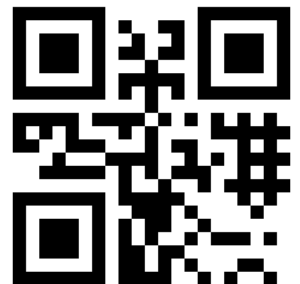
HM30/CRS *Automatic Circular Sliding Doors*

Ver.01.01.18.CRS.
UKK.1.ENG

METAXDOOR HM30/CRS automatic circular sliding doors which can be used indoors and outdoors, provide you with special multi dimensional solutions with various application alternatives and architectural details.



HTM METAXDOOR GmbH
Bredeneyer Str. 2b
45133 Essen
Tel : 0201 4517-322
Fax: 0201 4517-323
www.metaxdoor.de





Automatic Circular Sliding Doors

METAXDOOR HM30/CRS can be designed as half circular, full circular or segmented. Segmented versions can be produced as inwards or outwards with single parting or bi-parting modes available for both models.

METAXDOOR HM30/CRS can handle all the traffic you will ever need.

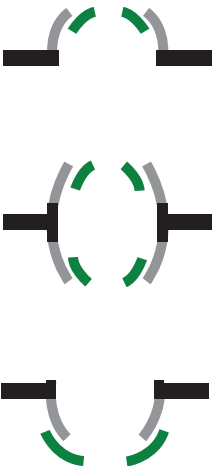
Technical Specifications

| Technical Specifications | |
|--------------------------|--|
| Motor | 36 V DC |
| Control Unit | COMBO v3.0 |
| Adjustable function | 15 |
| Canopy | Aluminium modular design |
| Profiles | Aluminium extrusion |
| Drum-gear material | Powder metallurgy |
| Transmission | Reinforced belt |
| Carriage System | 3-wheel roller |
| Diameter | 2000 - 4400 mm |
| Door opening time | 1 - 60 sec. |
| Temperature | -20 °C-45+ °C |
| Lighting | 6 pieces spot lights |
| Locking | Manual lock |
| Insulation | Natural horse hair brushes |
| Activation | 2 pieces microwave radar 2 pieces combine radar |
| Power | 230 V - (+6% - 10%) 50Hz |

HM30/CRS Options:

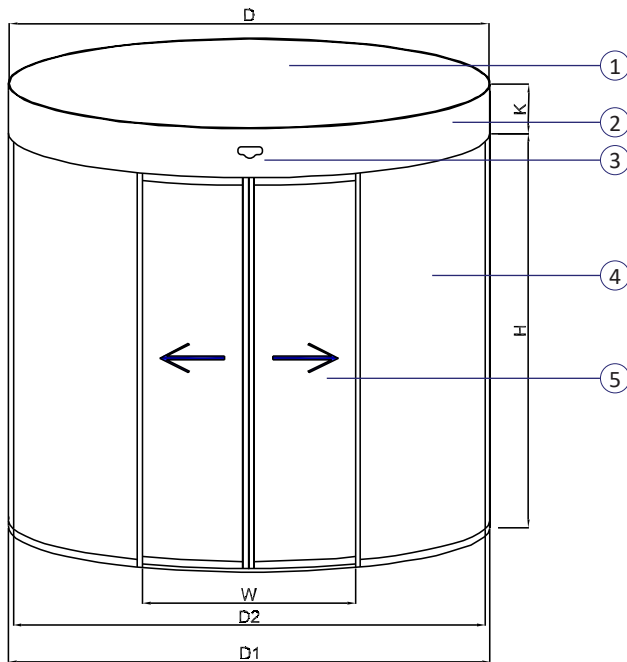
- Customizable diameter, design and function

| Optional Features | |
|-------------------|------------------------|
| | Air curtain |
| | Water Drainage |
| | Stainless-steel Finish |
| | Floor ring and mat |
| | Electronic lock |
| | Digital Panel |
| | Touchless Sensor |
| | Password Panel |



HM30/CRS

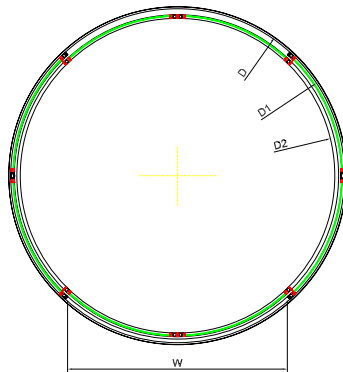
Ver.01.01.18.CRS.UKK.1.ENG



1. **Canopy**; a modular system that fulfils the canopy view and also houses mechanism.
2. **Mechanism**; an electromechanical system with Metaxdoor COMBO Processor.
3. **Radar**; gives signal to open the door when it detects movement.
4. **Fixed Drum**; fixed frames made of aluminium profiles and glass as standard, different material options available
5. **Moving Leaf**; door leaves made of aluminium profiles and glass as standard, different material options available

Diameter Dimensions

| D (mm) | D1 (mm) | D2 (mm) | W (mm) |
|--------|---------|---------|--------|
| 2000 | 1966 | 1806 | 1250 |
| 2200 | 2166 | 2006 | 1390 |
| 2400 | 2366 | 2206 | 2530 |
| 2600 | 2566 | 2406 | 1680 |
| 2800 | 2766 | 2606 | 1820 |
| 3000 | 2966 | 2806 | 1960 |
| 3200 | 3166 | 3006 | 2100 |
| 3400 | 3366 | 3206 | 2240 |
| 3600 | 3566 | 3406 | 2380 |
| 3800 | 3766 | 3606 | 2520 |
| 4000 | 3966 | 3806 | 2660 |
| 4200 | 4166 | 4006 | 2800 |
| 4400 | 4366 | 4206 | 2950 |



| | Half circle | Segment | Full circle |
|----------------------|-------------------------------------|---|-----------------------------|
| Basic Configurations | | | |
| Design Options | | | |
| | inside building concave half circle | inside building segment concave half circle | asymmetric side full circle |

**D : Outer diameter *D2: Floor inner diameter *W: Passage (mm) *D1: Floor outer diameter*

HTM METAXDOOR GMBH

BREDENEYER STR. 2B 45133 ESSEN

TEL : 0201 4517-322 FAX: 0201 4517-323

WWW.METAXDOOR.DE



